



actual size

HC3225M4

HOORAY

Surface Mount Quartz Crystal

Features

- package lid connectable to ground
- ceramic/metal package

General Data

type	HC3225M4
frequency range	12.0 ~ 54.0 MHz (fund. AT-cut)
frequency tolerance at 25 °C	±10 ppm ~ ±50 ppm
load capacitance C_L	12 pF ~ 16 pF
shunt capacitance C_0	< 5 pF
storage temperature	-40 °C ~ +90 °C
drive level max.	100 μ W
aging	< ±3 ppm first year

ESR (series resistance R_s)

frequency in MHz	vibration mode	ESR max. in Ω
13.0 ~ 19.999	fund.- AT	100
20.0 ~ 27.999	fund.- AT	90
28.0 ~ 50.000	fund.- AT	70

Frequency Stability vs. Temperature

		± 10 ppm	± 15 ppm	± 20 ppm	± 30 ppm	± 50 ppm
-10 °C ~ +60 °C		○	○			
-20 °C ~ +70 °C	S1D.	○	○	○	○	
-40 °C ~ +85 °C	T1			○	○	○

● standard
 ○ on request

Marking

frequency / date code

date code: year/month

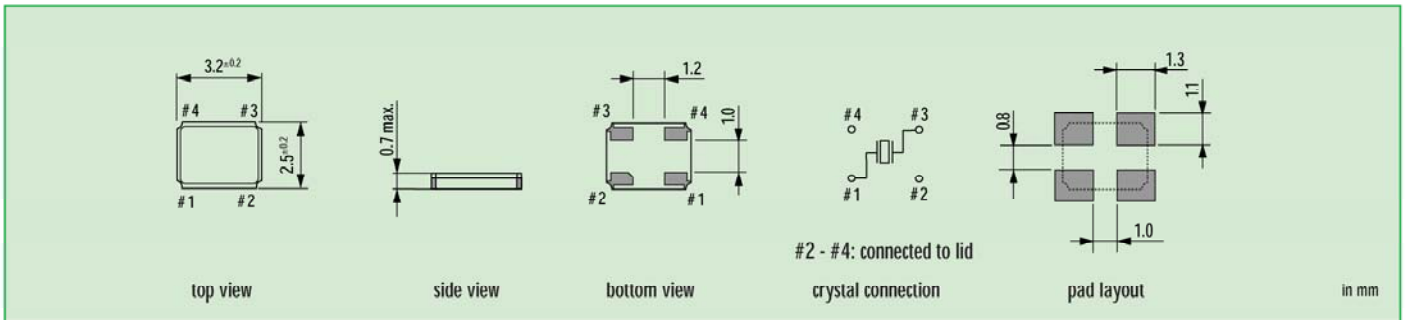
example: A = 2009 / January

Jan.	Febr.	Mar.	Apr.	May	June
A	B	C	D	E	F
July	Aug.	Sept.	Oct.	Nov.	Dec.
G	H	J	K	L	M

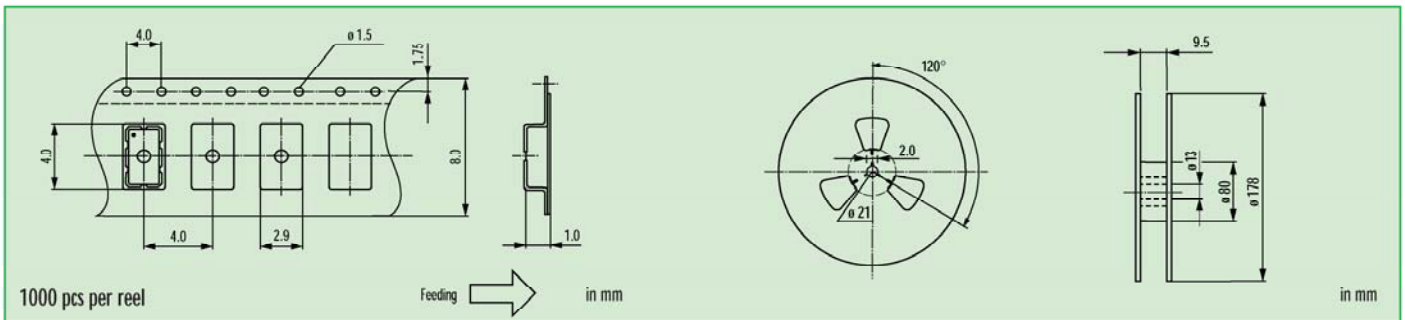
HC3225M4

HOORAY

Dimensions



Taping Specification



Reflow Soldering Profile

