

TVS29VCK-G7

Crystal Clock Oscillators (VCXO)

Feature

- Ultra-small,reflow solderable,tri-state output function.
- TTL/C-MOS compatible,Direct connection with IC is Possible
- Suitable as a standard clock signal source,Wireless LAN and other high precision requirements.
- RoHS compliance applied

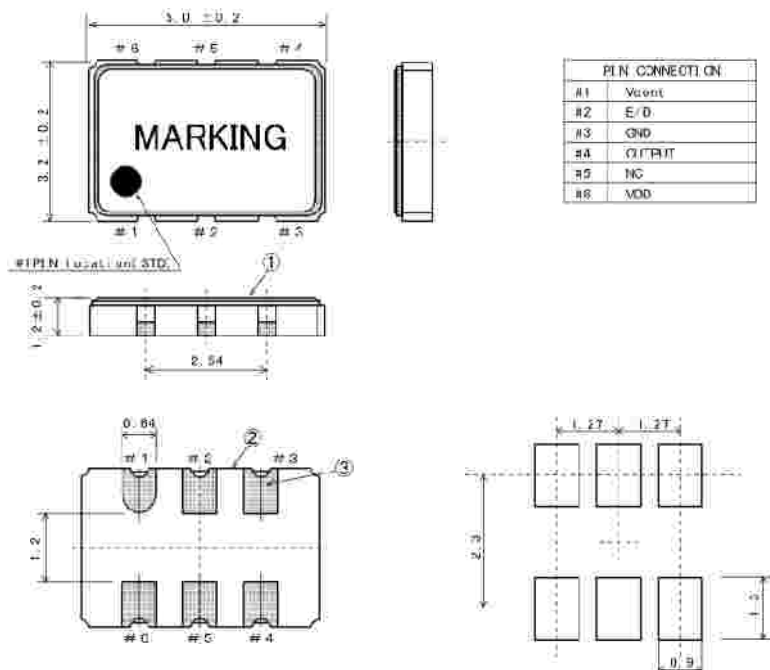


Specifications

Item	Symbol	Specifications	Conditions
Frequency Range	f_0	1.0MHz ~ 125.0 MHz	
Supply Voltage	Vdd	+3.3V, +5.0V	
Input Current	Idd	50 mA max.	Vdd=5.0V
Load	L_CMOS	15 pF	C-MOS
Frequency Stability	f_{tol}	$\pm 25, \pm 50, \pm 100 \times 10^{-6}$ max. (at -10 °C ~ +70 °C)	All Condition
Output Voltage	V	$V_{OH}: V_{CC} \times 90\%$ min. $V_{OL}: V_{CC} \times 10\%$ max.	
Symmetry	SYM	40% ~ 60%	50% Vdd
Rise / Fall Time	tr/tf	5 ns max.	
Frequency Pullability		$\pm 50, \pm 100 \times 10^{-6}$ min.	$V_C = +1.65V \pm 1.65V (+2.5V \pm 2.0V)$

?Outline

* Linearity 10% max.



Products with specific requirements are available upon request