

FREQUENCY STABILITY	
OVER:	
OPERATING TEMP. RANGE :	<i>see note 1</i>
LONG TERM AGING 1ST YEAR:	< ±0.7 ppm *
10 YEARS:	< ±4.0 ppm *
SUPPLY VOLTAGE ±0.15 V	< ±0.1 ppm *
LOAD ±10%:	< ±0.01 ppm
POWER SUPPLY	
SUPPLY INPUT:	V _{cc} = 3.3 V ±0.15 V *
INPUT CURRENT :	< 110 mA @ +30 °C *
INPUT CURRENT :	< 170 mA @ -20 °C *
FREQUENCY CONTROL RANGE	
CONTROL VOLTAGE:	<i>see note 2</i>
FREQUENCY DEVIATION:	> ±4 ppm *
RESPONSE SLOPE:	positive
OUTPUT	
OUTPUT SIGNAL:	HC-MOS compatible
SYMMETRY:	40 (min.) /60 (max.) % @ V _{cc} / 2 *
RISE AND FALL TIME:	tr < 7ns tf < 7 ns *
LEVEL „0“ AND „1“:	< 0.4 V > V _{cc} -0.5 V
FAN OUT (LOAD):	10 LS
ENVIRONMENT	
OPERABLE TEMP. RANGE:	-40 to +85 °C
STORAGE TEMP. RANGE:	-65 to +125 °C
VIBRATION:	10 to 2000 Hz / 10 g
SHOCK:	2000 g, 0.3 ms, ½ sine
PACKAGE:	DIL 14, 4 pins, GND to case
PACKAGE HEIGHT:	8 mm (see packaging info)
WARM-UP	
ΔF/F:	within spec after 60s @ 0 °C *
CURRENT:	< 250 mA during 30s
MISCELLANEOUS	
SHORT TERM STABILITY:	< 5 E-10 0.1 s to 30 s Typical 5 E-11 @ 1 s
PHASE NOISE (BW = 1Hz):	10 Hz: -100 dBc / Hz 100 Hz: -130 dBc / Hz 1 KHz: -140 dBc / Hz 10 KHz: -145 dBc / Hz
* Customer's specification on request	

NOTE 1	
TEMP. RANGE *	OCXOWT-AR1, AV3 0 to +60 °C
STABILITY *	±0.075 ppm (0.15 ppm peak to peak)
TEMP. RANGE *	OCXOWT-BR1, BV3 -20 to +70 °C
STABILITY *	±0.15 ppm (0.3 ppm peak to peak)
TEMP. RANGE *	OCXOWT-CR1, CV3 -40 to +85 °C
STABILITY *	±0.25 ppm (0.5 ppm peak to peak)

NOTE 2	
ADJUSTMENT WITH RESISTOR (connected to ground)	OCXOWT-AR1, BR1, CR1 0 to 10 kΩ
INPUT IMPEDANCE	> -4.7 kΩ
ADJUSTMENT WITH VOLTAGE	OCXOWT-AV3, BV3, CV3 0 to 3.3 V
INPUT IMPEDANCE	> 47 kΩ

MARKING EXAMPLE			
Micro Crystal		Micro Crystal	
OCXOWT-BV3		Type	Spec No.
20.000 MHz	09.25	Frequency	Date Code
○	12	○ (PIN 1)	Piece No.

ORDERING INFORMATION EXAMPLE			
O C X O W T - B V 3 20 MHz x x x			
Oscillator Type	OCXO = oven controlled Crystal Oscillator		N° of customer spec.
Oscillator Version	W = low power voltage 3.3V T = tight tolerance	Oscillator output frequency	
Temperature Range	A = 0 to +60°C; +/-0.075ppm B = -20 to +70°C; +/-0.15ppm X = custom spec.	Frequency Adjustment	R1 = external resistor V3 = voltage 3.3V Y = custom spec.

STANDARD FREQUENCIES (MHz)					
10.0000	12.8000	16.0000	16.3840	19.4400	20.0000
26.0000	40.0000	50.0000	52.0000		

DATE:	October 2009	Revision No.: 9
-------	--------------	-----------------

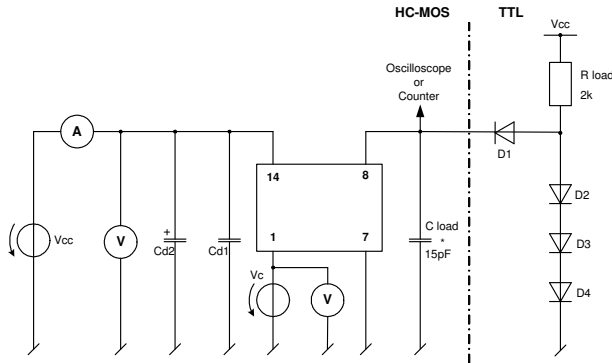
Page 1/2

In accordance with our policy of continuous development and improvement, we reserve the right to modify the design or the specifications of our products without prior notice.

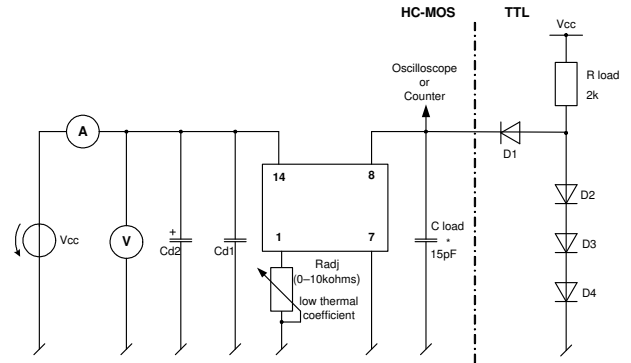
Headquarters: Micro Crystal AG Mühlestrasse 14 CH-2540 Grenchen Switzerland	Tel. +41 32 655 82 82 Fax +41 32 655 80 90 Internet www.microcrystal.ch Email sales@microcrystal.ch
--	--

Application and Test Circuit:

Adjustment with voltage

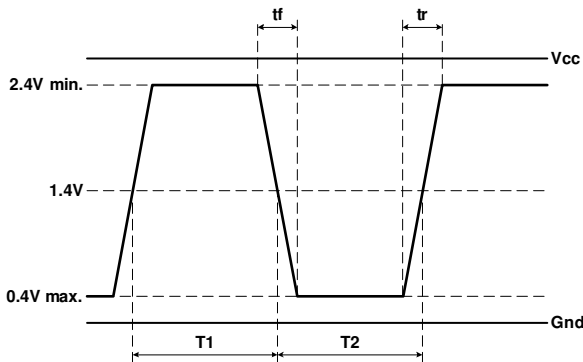


Adjustment with resistor

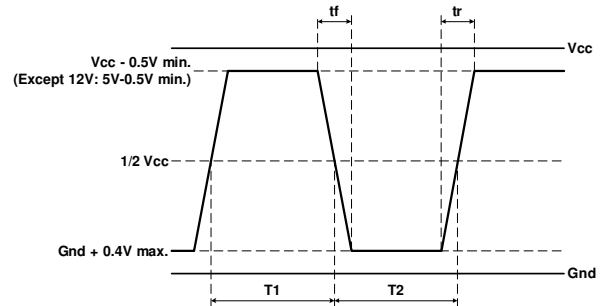


Waveform Output:

Waveshape TTL



Waveshape HC-MOS



$$Duty\ Cycle = 100 \times \frac{T1}{T1 + T2} [\%]$$

In accordance with our policy of continuous development and improvement, we reserve the right to modify the design or the specifications of our products without prior notice.