

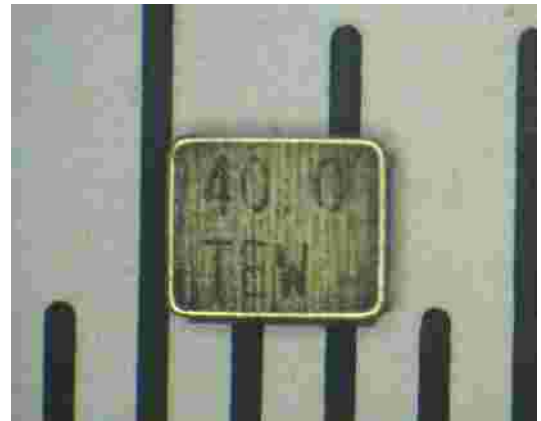
TAS-1210D

Ultra Miniature Surface Mount Type Crystal Units

Feature

Production is enabled sealing by Au-Sn method in crystal units in the next generation of the industry's smallest class.

As compared with our product TAS-2016B, surface area is miniaturized 62.5%, and volume is miniaturized about 74%.



Standard Specifications

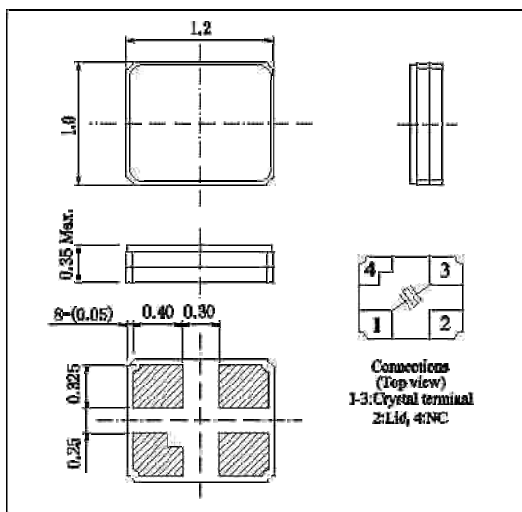
Size (mm)	1.2×1.0, 0.35t max.
Overtone Order	Fundamental
Frequency Range (MHz)	36 ~ 60
Equivalent Series Resistance (Ω)	150 max.
Drive Level (μW)	10
Operating Temperature Range	See Table 1
Frequency Temperature Characteristics (in reference to 25 °C)	See Table 1

Table 1 Frequency Temperature Characteristics

Temperature Range	Temperature Characteristics ($\times 10^{-6}$)	Frequency Tolerance ($\times 10^{-6}$)
-0 ~ +50 °C	± 5	$\pm 20 \sim \pm 50$ (25 °C ± 3 °C)
-10 ~ +60 °C	± 10	
-20 ~ +75 °C	± 15	

Products with specific requirements are available request.

Outline Dimensions



Reference Land Pattern

