

TPS18XC

High Precision Clock Crystal Oscillator

◆ Feature

Ultra-small, reflow solderable, tri-state output function.

TTL/C-MOS compatible, Direct connection with IC is Possible.

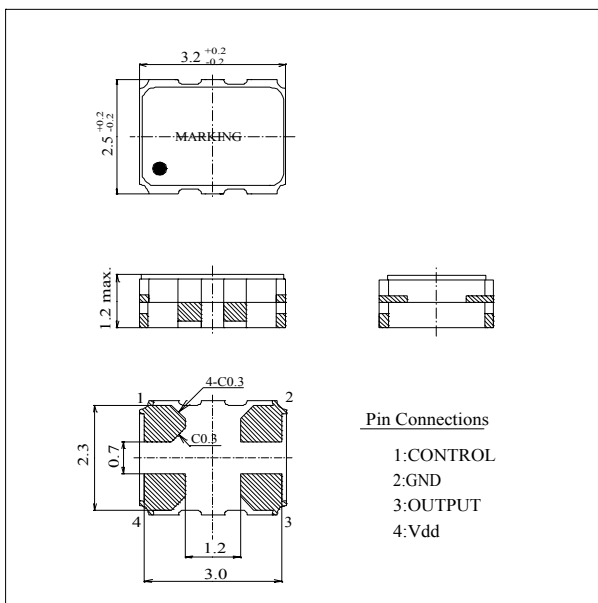
Suitable as a standard clock signal source, Wireless LAN and other high precision requirements.

◆ Specification

Size	3.2 × 2.5 × 1.2 (mm)	
Output Frequency	2.0 ~ 48.0 (MHz)	
Supply Voltage (Vdd)	3.3 ± 10% (V)	
Supply Current	30 max. (mA)	
Output Level	Hi: 0.9 × Vdd min. / Lo: 0.1 × Vdd	
Load	15 (pF): C-MOS	
Frequency Stability	± 20 ppm	± 25 ppm
Operating Temperature Range	0 ~ + 70 °C	- 40 ~ + 85 °C
Symmetry	40 ~ 60 (%)	
Rise, Fall time	10 max. (ns): Vdd = 10 ~ 90 (%)	

* Products with specific requirements are available upon request.

◆ Outline



◆ Reference Land Pattern

